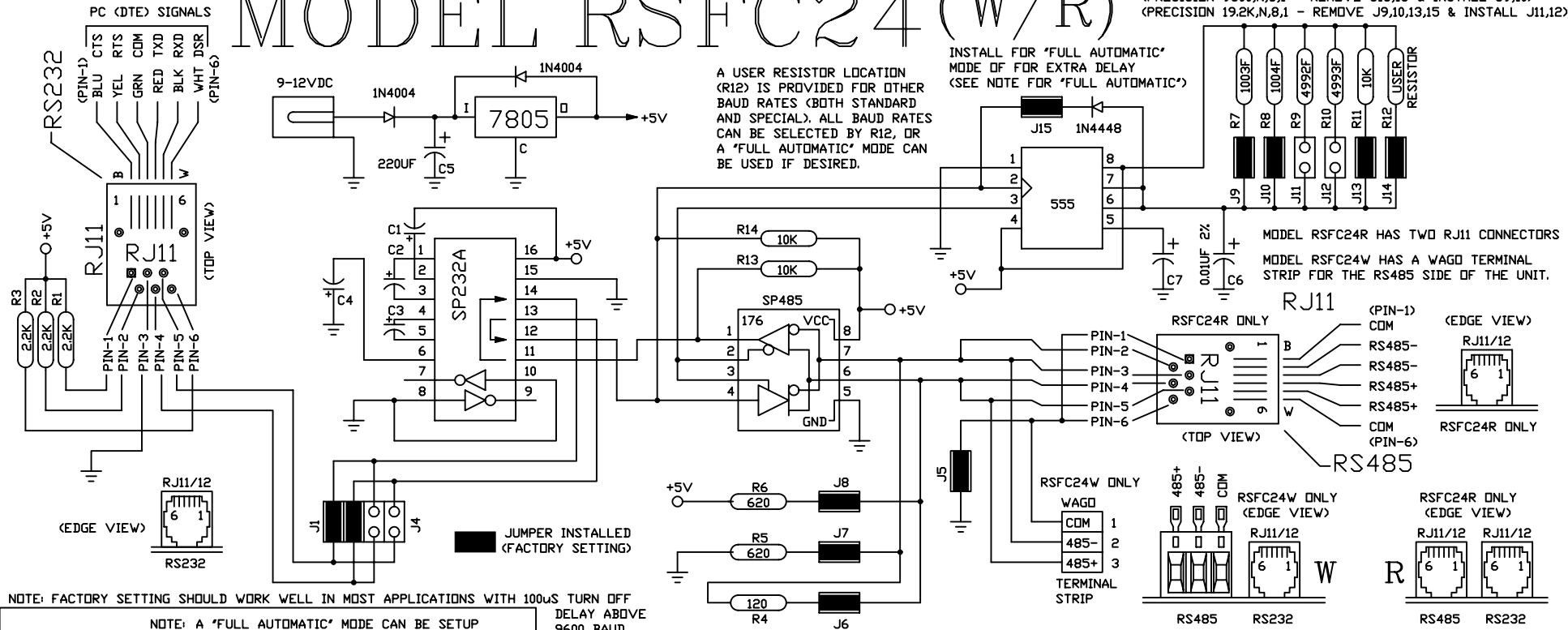


# MODEL RSFC24 (W/R)

JUMPERS SHOWN FOR FULL AUTOMATIC MODE  
 (PRECISION 9600,N,8,1 - REMOVE J13,15 & INSTALL J9,10)  
 (PRECISION 19.2K,N,8,1 - REMOVE J9,10,13,15 & INSTALL J11,12)



A USER RESISTOR LOCATION (R12) IS PROVIDED FOR OTHER BAUD RATES (BOTH STANDARD AND SPECIAL). ALL BAUD RATES CAN BE SELECTED BY R12, OR A 'FULL AUTOMATIC' MODE CAN BE USED IF DESIRED.

INSTALL FOR 'FULL AUTOMATIC' MODE OF FOR EXTRA DELAY (SEE NOTE FOR 'FULL AUTOMATIC')

MODEL RSFC24R HAS TWO RJ11 CONNECTORS  
 MODEL RSFC24W HAS A WAGO TERMINAL STRIP FOR THE RS485 SIDE OF THE UNIT.

NOTE: FACTORY SETTING SHOULD WORK WELL IN MOST APPLICATIONS WITH 100µS TURN OFF DELAY ABOVE 9600 BAUD.

NOTE: A 'FULL AUTOMATIC' MODE CAN BE SETUP BY INSTALLING A USER RESISTOR IN THE R12 LOCATION ON THE CIRCUIT BOARD. THIS MODE OF OPERATION IS VERY USEFUL; HOWEVER, IT IS NECESSARY TO 'CHEAT' A LITTLE ON THE RS485 SPECIFICATION. THIS MODE OF OPERATION HAS BIT ORIENTATED TIMING AND IS THEREFORE INDEPENDENT OF BAUD RATE, WORD LENGTH AND PARITY. ALSO, DATA COLLISIONS AND TIME DELAYS ARE AVOIDED BY PRECISE TIMING. TO ENTER THIS MODE DO THE FOLLOWING: INSTALL A RESISTOR IN THE R12 LOCATION FOR THE MAXIMUM BAUD RATE THAT YOU EXPECT TO USE. NEXT REMOVE J9-J13 AND INSTALL J7,8,14,15. J6 IS OPTIONAL FOR 120 OHMS OF TERMINATION. EVERY '1' IN THE DATA STREAM CAUSES THE RS485 DRIVER TO TURN ON. EVERY '0' CAUSES THE RS485 TO 'PULSE' FOR A TIME DETERMINED BY R12, WITH BIAS HOLDING THE '0' STATE AFTER THE PULSE. TESTING SHOULD BE DONE TO DETERMINE NOISE IMMUNITY AND OTHER SYSTEM REQUIREMENTS.

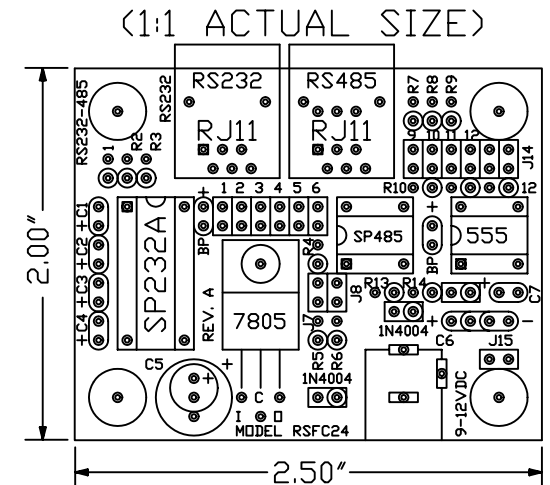
'FULL AUTOMATIC'	
MAX. BAUD	R12 VALUE
115.2K	1.0K
57,600	1K-1.5K
38,400	1K-2.2K
19,200	2.2K-4.3K
* AUTO	FACTORY
9600	4.3K-9.1
4800	9.1K-18K
2400	18K-33K
LOWER	33K

\* FACTORY SETTING

BIT AND CHARACTER TIMING MODES AVAILABLE FOR PRECISION CONTROL.

**AUTOMATIC BAUD RATE**  
 FACTORY DEFAULT SETTING IS FOR FULL AUTOMATIC MODE OF OPERATION. AT BAUD RATES ABOVE 9600 SOME RESPONSE DELAY MAY BE NECESSARY (100µSEC MAX. AT 115.2K). ANY NUMBER OF DATA BITS, PARITY, AND STOP BITS CAN BE ACCOMMODATED. FOR NO DELAYS IN OPERATION USE THE VALUES FOR R12 SHOWN IN TABLE AT LEFT. CALL AND ASK FOR RON IF ADDITIONAL ASSISTANCE IS NEEDED.

[www.rs485.com](http://www.rs485.com)



**R. E. SMITH**  
 4311 TYLERSVILLE ROAD  
 HAMILTON, OHIO 45011  
 513-874-4796  
 513-874-1236 Fax.

\$39.00ea 1-9 Qty.  
 \$29.00ea 100 Qty.

This drawing is the property of R. E. SMITH and shall not be used except with the written permission of R. E. SMITH, no copies shall be made of it and all proprietary rights in the matter contained in this drawing are the property of R. E. SMITH. COPYRIGHT - R. E. SMITH, 1996		DRAWN BY RES	SUBJECT RS232 TO RS485
SHEET 1 OF 1		DATE 2-2-99 (REVISED)	FOR AUTO CONVERSION
RSFC24		SCALE NONE	R. E. SMITH 4311 TYLERSVILLE RD. HAMILTON, OHIO 45011
CHKD. BY RES		DWG. NO. RSFC24	REV. A