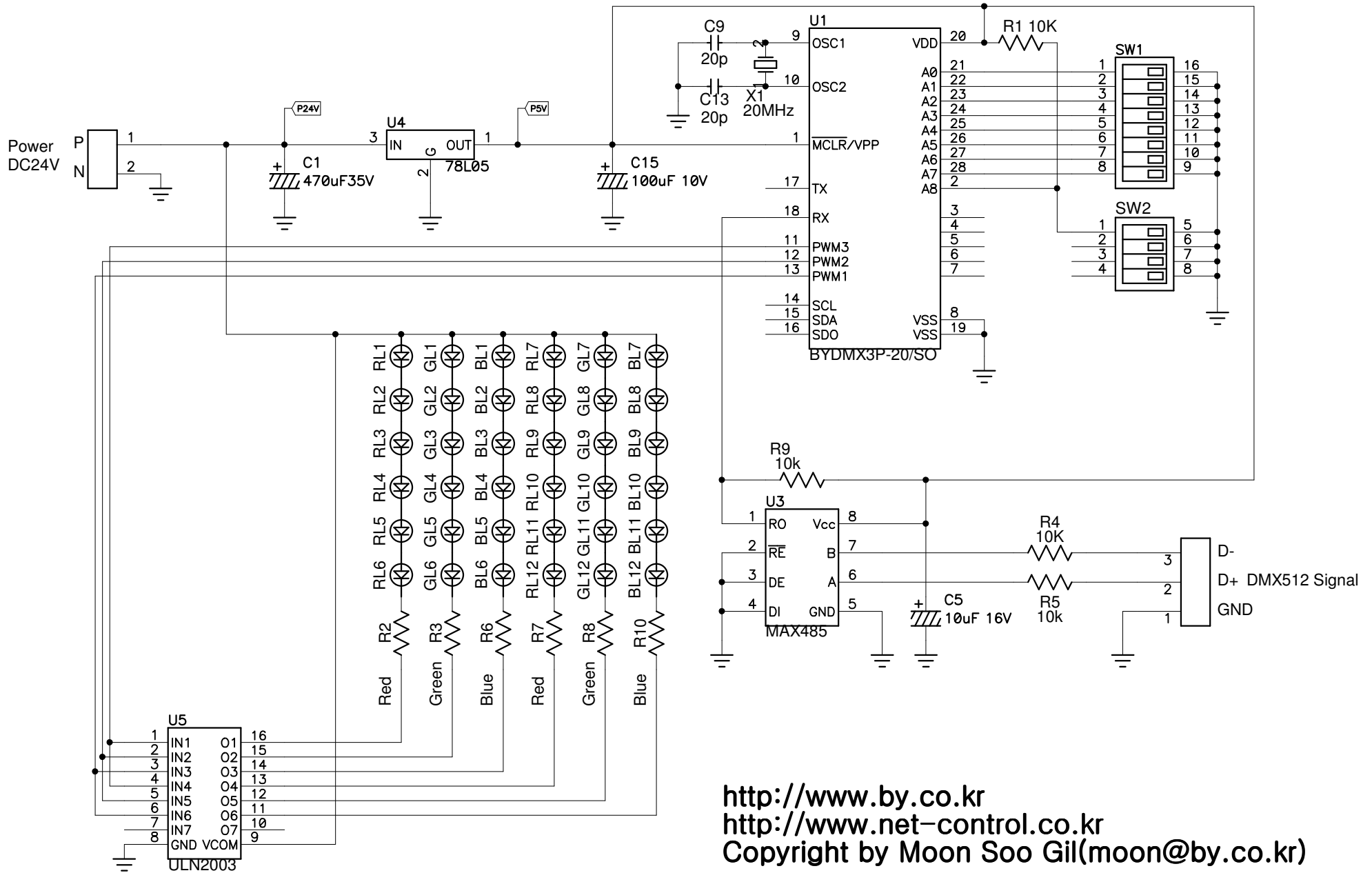


# DMX512 True Color LED Lamp Demo Board Full Schmatic

## (BYDMX-TCLD-3-2436)



<http://www.by.co.kr>  
<http://www.net-control.co.kr>  
 Copyright by Moon Soo Gil(moon@by.co.kr)